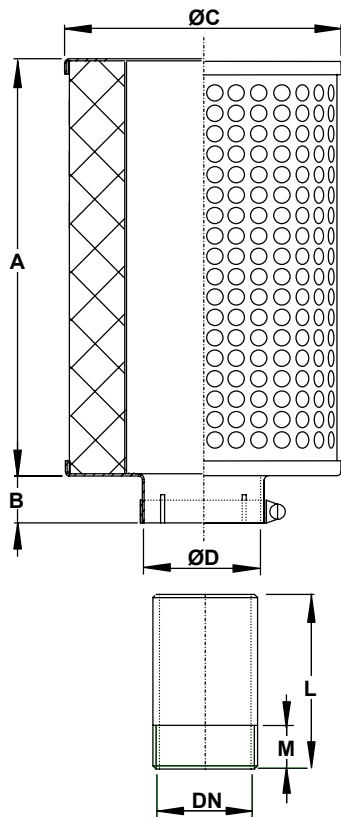




## FA - INTAKE FILTER FOR INDOOR USE

Treated paper filter with 25µm rating. Complete with hose clamp connector. PVC connector available on demand.



TYPE	DN	A	B	C	D	CAPACITY m <sup>3</sup> /h
FA 4	1" 1/4	126	23	126	42	100
FA 5	1" 1/2	217	23	152	48	300
FA 6	2"	217	23	152	60	400
FA 8	3"	150	34	200	89	700
FA 9	4"	160	38	257	114	1400
FA 10	5"	160	38	257	140	2800

### CONNECTOR

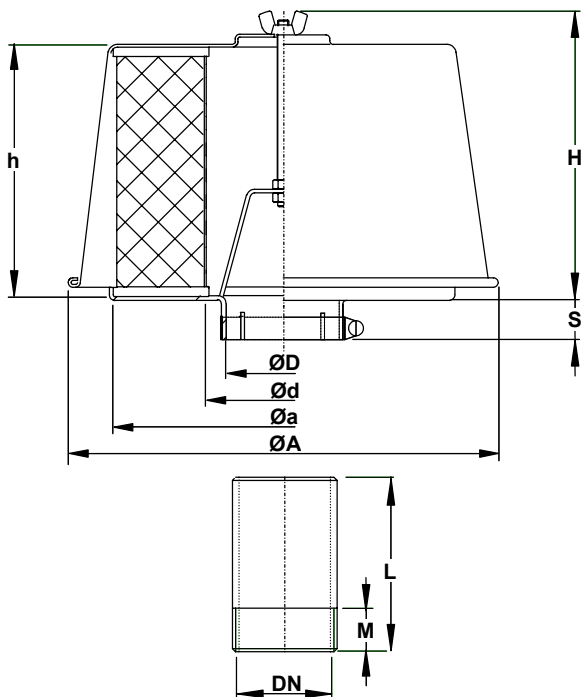
TYPE	DN	L	M
TR 4	1" 1/4	200	15
TR 5	1" 1/2	200	15
TR 6	2"	200	15
TR 8	3"	200	15
TR 9	4"	200	15
TR 10	5"	200	35

## FL - CARTRIDGE INTAKE FILTER

Cartridge filter complete with painted steel casing to protect the cartridge from atmospheric conditions. Treated paper cartridge, with 25µm rating. Complete with hose clamp and PVC connectors.

### OPTIONS:

- Screen in s.steel;
- Filtrating element in polyester.



TYPE	DN	A	D	H	S	L	M	CAPACITY m <sup>3</sup> /h
FL 1	1/2"	75	21	62	23	100	15	25
FL 2	3/4"	150	27	105	23	130	15	85
FL 3	1"	150	33	105	23	130	15	85
FL 4	1" 1/4	150	42	105	23	200	15	85
FL 5	1" 1/2	180	48	155	23	200	15	250
FL 6	2"	230	60	155	23	200	15	400
FL 8	3"	280	89	180	35	200	15	700
FL 9	4"	410	114	330	35	200	15	1400
FL 10	5"	410	140	330	35	200	35	2800

### CARTRIDGE

TYPE	FILTER	a	d	h
CF 1	FL 1	55	25	50
CF 4	FL 2	108	55	83
	FL 3			
	FL 4			
	FL 5			
CF 5	FL 5	147	80	135
CF 6	FL 6	176	80	135
CF 8	FL 8	225	100	150
CF 9	FL 9	300	215	300
	FL 10			

CA manifolds or MP sleeves can also be used for easy FA/FL filter installation.

Dimensions in mm. Given values are unbinding and can be changed without prior notice. Capacities referred to filter cleaned, charge losses  $\Delta p = 15$  mbar.