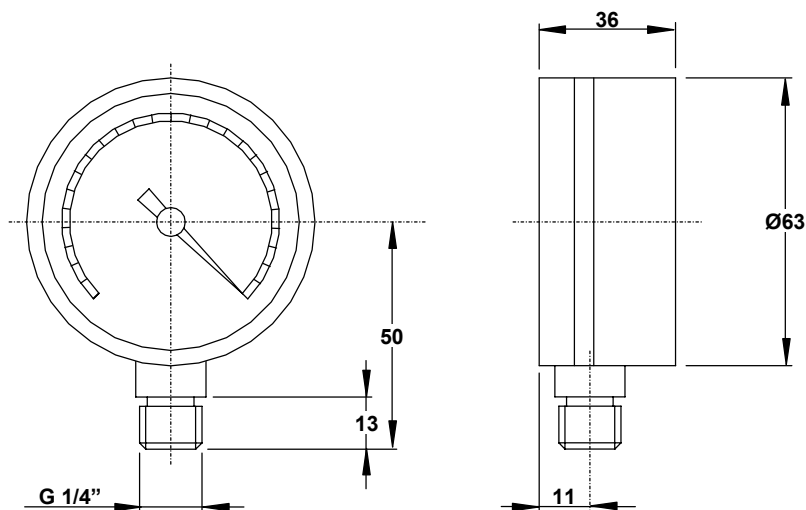


PRESSURE	
TYPE	Δp mbar
MC 010	0 ÷ 600
MC 020	0 ÷ 1000



VACUUM GAUGE	
TYPE	Δp mbar
MV 010	600 ÷ 0