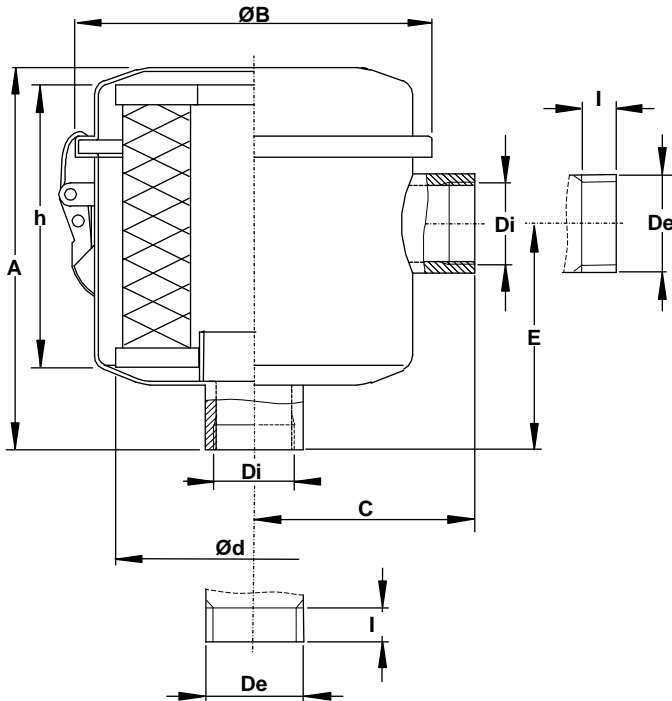




FV - INLINE CARTRIDGE AIR FILTER

Inline cartridge filter. Painted steel casing comes with threaded GAS connections. Treated paper filter rated at 25µm.

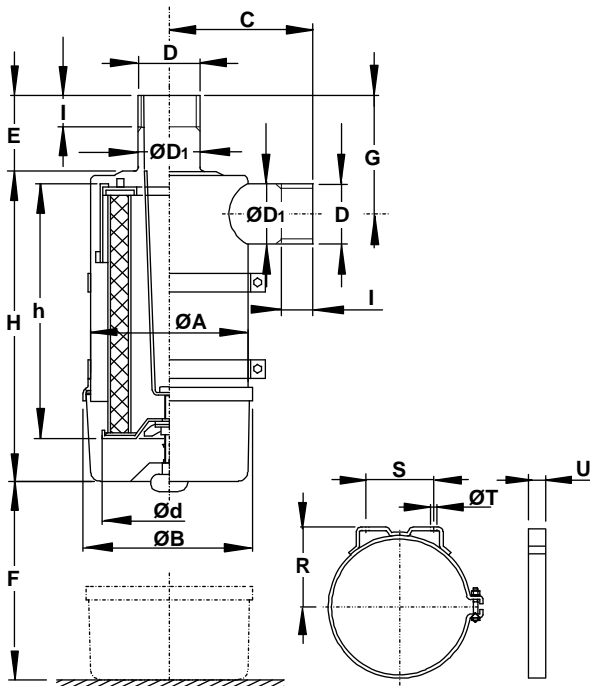


FILTER								
TYPE	Di	De	I	A	ØB	C	E	CAPACITY m3/h
FV 5	G 1" 1/2	-	-	200	176	100	112	180
FV 6	G 2"	-	-	258	200	111	131	280
FV 8	G 3"	-	-	268	200	122	142	700
FV 10	-	G 5"	40	730	470	265	495	2450

CARTRIDGE			
TYPE	FILTER	Ød	H
CV 5	FV 5	120	152
CV 6	FV 6	150	220
	FV 8		
CV 10	FV 10	250	240

FC - INLINE CARTRIDGE CYCLONE FILTER

Inline cartridge filter. Unique filter design and finned plastic inserts produce an improved cyclonic effect, giving increased filter life. Treated paper filter element, rated at 25µm, is housed in a painted steel casing with threaded GAS connections. FS hose clamps are also available for use with FC filters.



FILTER											
TYPE	D	D1	A	B	C	E	F	G	H	I	CAPACITY m³/h
FC 5	G1"1/2	48	132	146	126	81	270	129	312	22	170
FC 6	G 2"	60	165	178	156	91	300	144	341	22	240
FC 8	G 3"	88	203	220	157	102	400	172	453	22	440
FC 9	G 4"	114	262	276	225	128	430	208	493	22	730

FLASK					
TYPE	FILTER	R	S	T	U
FS 5	FC 5	70	84	9	22
FS 6	FC 6	103	93	9	22
FS 8	FC 8	122	112	9	25
FS 9	FC 9	147	126	11.5	32

CARTRIDGE			
TYPE	FILTER	d	H
CL 5	FC 5	104	264
CL 6	FC 6	134	290
CL 8	FC 8	155	395
CL 9	FC 9	202	421