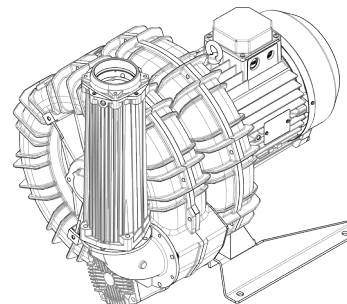


Technical Characteristics	
<ul style="list-style-type: none"> <li>Aluminum alloy construction</li> <li>Smooth operation</li> <li>Maintenance free</li> </ul>	
Electric Motor	
<ul style="list-style-type: none"> <li>IE3 Wide Range cURus Motors</li> <li>IP 55 protection rating, class F insulation, suitable for operating with inverter (refer to FPZ)</li> <li>Thermal Protector (PTO) as standard</li> </ul>	
Options	
<ul style="list-style-type: none"> <li>Special voltages (IEC 60038)</li> <li>Surface treatments</li> <li>Increased seal version</li> </ul>	

~3	[V] (Y / Δ)	[Hz]
IE3	690 / 400	50
	795 / 460	60
Wide Range	600 – 720 / 345 – 415	50
	660 – 830 / 380 – 480	60

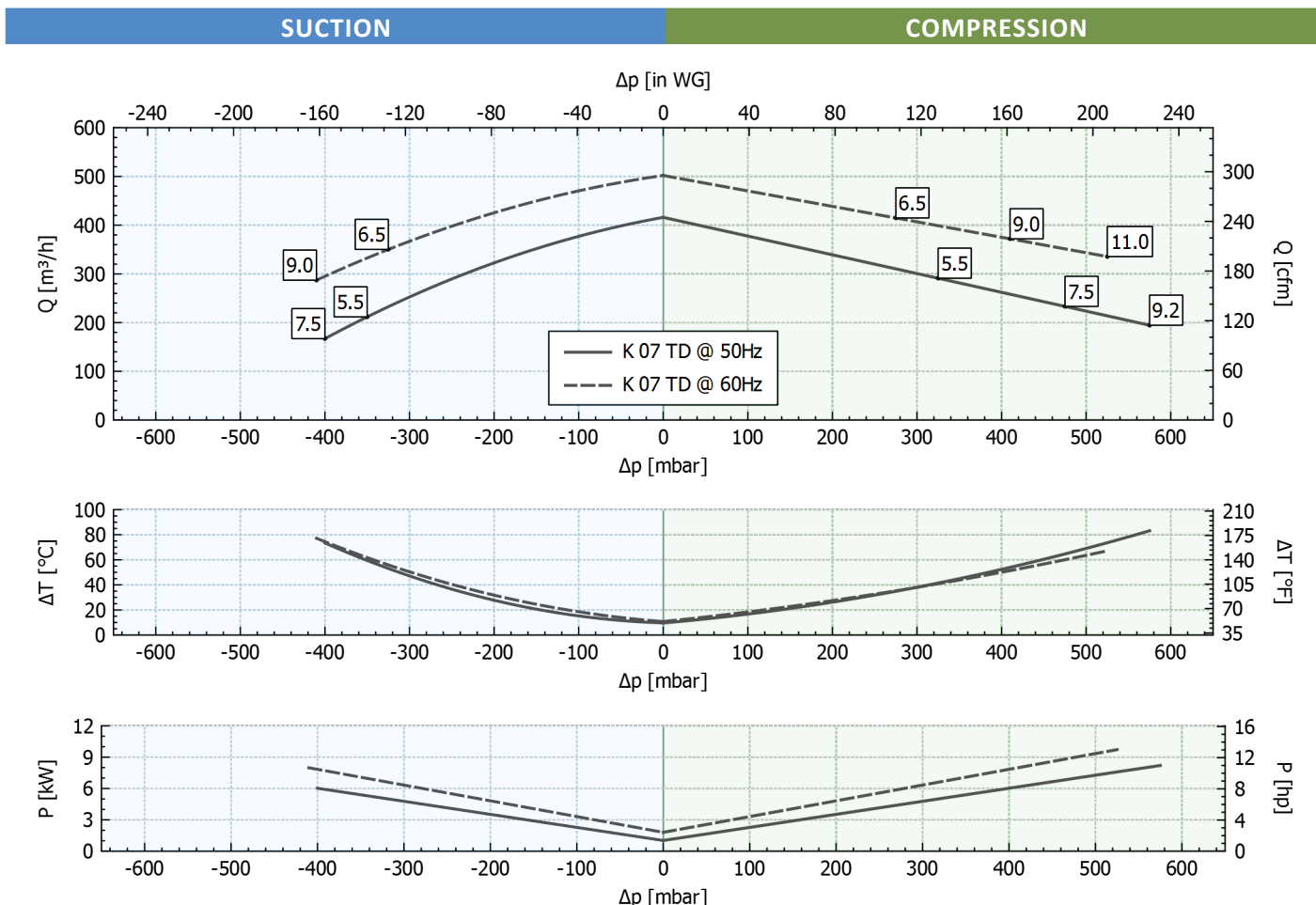
Supply voltage - [Tolerance on the fixed voltage value ± 10%, in range ± 5%.]



## Performance Table

P <sub>n</sub> [kW]	Frequency [Hz]	Δp <sub>max</sub> [mbar]		Q <sub>max</sub> [m <sup>3</sup> /h]	Leq <sup>1</sup> [dB(A)]	Weight [kg]	H <sup>2</sup> [mm]	Current Consumption (Y/Δ) [A]		Cosφ [-]	Speed [rpm]
		Suction	Compression					IE3	Range		
5.5	50	350	325	416	74.6	89.5	580	6.41 / 11.1	6.70-6.64 / 11.6-11.5	0.80	2940
6.5	60	325	275	502	76.6	89.5	580	6.35 / 11.0	7.10-6.41 / 12.3-11.1	0.83	3530
7.5	50	400	475	416	74.6	94.5	580	8.95 / 15.5	9.06-9.30 / 15.7-16.1	0.78	2940
9	60	410	410	502	76.6	94.5	580	8.78 / 15.2	9.71-8.97 / 16.8-15.5	0.82	3535
9.2	50	-	575	416	74.6	99.5	620	10.3 / 17.8	10.9-10.5 / 18.9-18.1	0.83	2935
11	60	-	525	502	76.6	99.5	620	10.2 / 17.7	11.7-10.3 / 20.3-17.8	0.86	3530

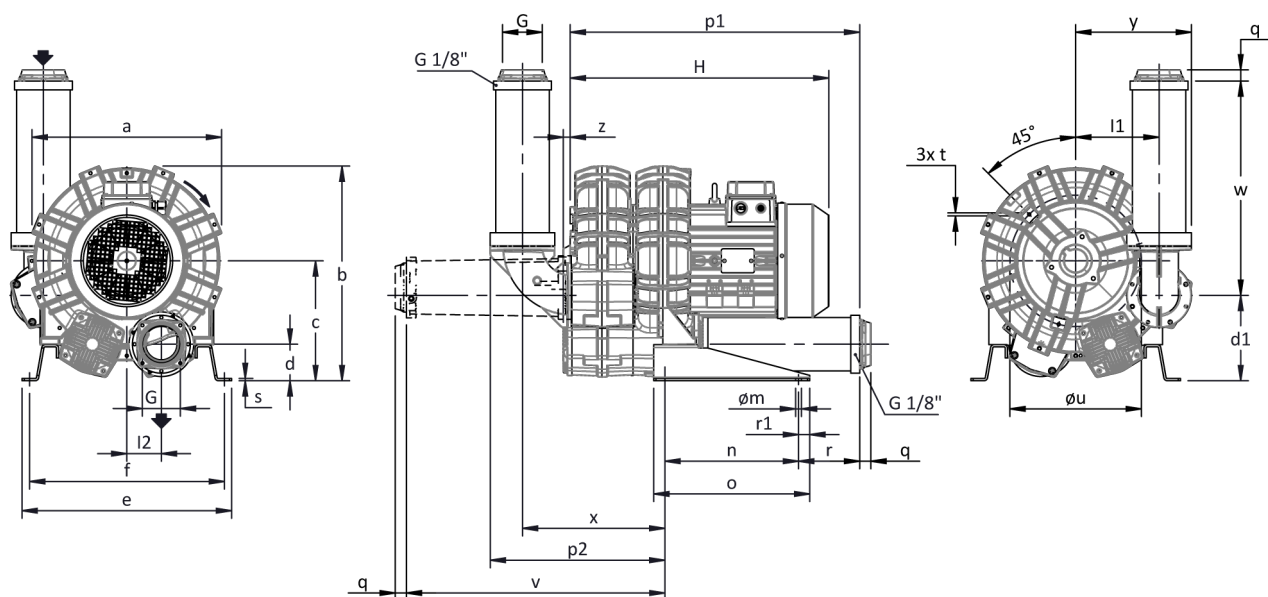
1. Noise level measured at a distance of 1 m with ducted intake and delivery, in accordance with Standard ISO 3744.  
 2. See figure "dimensions" at following page.



Tolerance on indicated values ± 10%.  
 Data subject to change without notice.  
 Curves referring to air at a temperature of 20 °C and atmospheric pressure of 1013 mbar (abs).



## Dimensions



For all assembly options refer to FPZ.

Dimensions in mm

NOT Binding

a	b	c	d	d1	e	f	G	l	l1	l2	m	n	o	p1	p2	q	r	r1	s	t	u	v	w	x	y	z
424	481	269	82	192	470	438	G 3"	-	187	77.5	13	300	350	650	392	25	137	25	5	M8	295	581	481	319	260	16

## INSTALLATION

- For proper operation of the machine, it must be provided with a suction FILTER and a vacuum/pressure limiting VALVE.
- Other accessories are available on request.
- Permissible ambient and fluid temperature in suction from -15 °C to +40 °C.
- Read the instruction manual carefully before installing the machine.