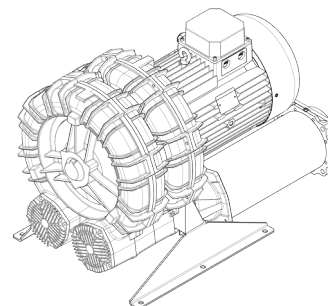


Technical Characteristics	
<ul style="list-style-type: none"> - Aluminum alloy construction - Smooth operation - Maintenance free 	
Electric Motor	
<ul style="list-style-type: none"> - IE3 Wide Range cURus Motors - IP 55 protection rating, class F insulation, suitable for operating with inverter (refer to FPZ) - Thermal Protector (PTO) as standard 	
Options	
<ul style="list-style-type: none"> - Special voltages (IEC 60038) - Surface treatments - Increased seal version 	

~3	[V] (Y/Δ)	[Hz]
IE3	690 / 400	50
	795 / 460	60
Wide Range	600 - 720 / 345 - 415	50
	660 - 830 / 380 - 480	60

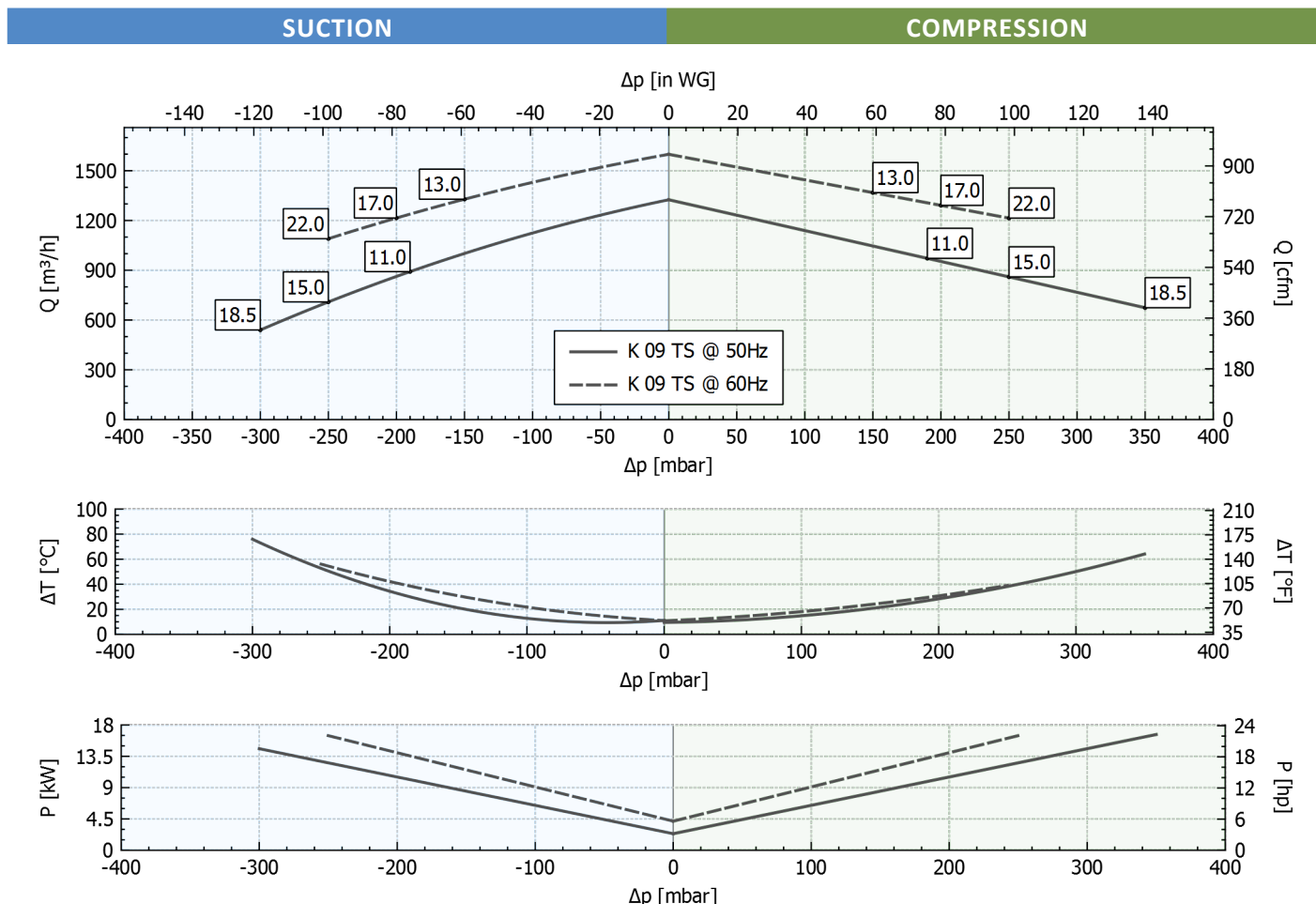
Supply voltage - [Tolerance on the fixed voltage value ± 10%, in range ± 5%.]



Performance Table

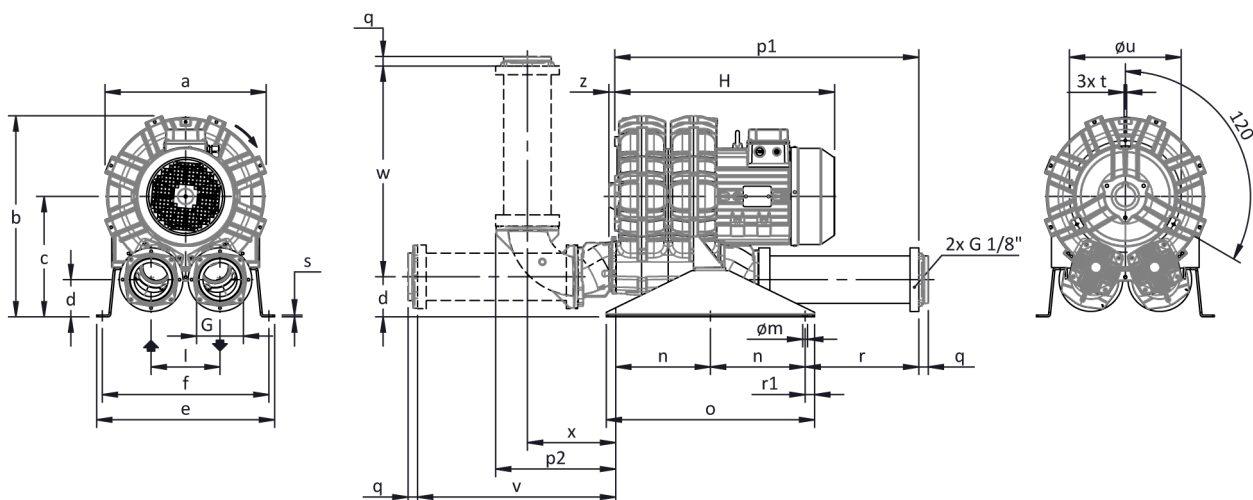
P _n [kW]	Frequency [Hz]	Δp _{max} [mbar]		Q _{max} [m ³ /h]	Leq ¹ [dB(A)]	Weight [kg]	H ² [mm]	Current Consumption (Y/Δ) [A]		Cosφ [-]	Speed [rpm]
		Suction	Compression					IE3	Range		
11	50	190	190	1325	80.1	136.5	650	12.5 / 21.6	13.0-12.8 / 22.6-22.2	0.81	2940
13	60	150	150	1599	82.1	136.5	650	12.3 / 21.2	13.8-12.4 / 23.9-21.5	0.84	3535
15	50	250	250	1325	80.1	157	727	16.2 / 28.1	17.5-16.4 / 30.4-28.4	0.84	2935
17	60	200	200	1599	82.1	157	727	15.5 / 26.8	17.8-15.5 / 30.9-26.9	0.86	3535
18.5	50	300	350	1325	80.1	183.5	785	19.5 / 33.8	21.4-19.6 / 37.1-33.9	0.85	2950
22	60	250	250	1599	82.1	183.5	785	19.6 / 34.0	23.1-19.5 / 40.0-33.8	0.87	3550

1. Noise level measured at a distance of 1 m with ducted intake and delivery, in accordance with Standard ISO 3744.
2. See figure "dimensions" at following page.



Tolerance on indicated values ± 10%.
 Data subject to change without notice.
 Curves referring to air at a temperature of 20 °C and atmospheric pressure of 1013 mbar (abs).

Dimensions



Configuration with a vertical silencer is only available with the CK accessory kit; for all assembly options refer to FPZ.

Dimensions in mm

NOT Binding

a	b	c	d	d1	e	f	G	l	l1	l2	m	n	o	p1	p2	q	r	r1	s	t	u	v	w	x	y	z
492	610	365	112	-	510	478	G 5"	210	-	-	13	250	550	850	447	35	315	25	5	M8	360	558	608	337	-	16

INSTALLATION

- For proper operation of the machine, it must be provided with a suction FILTER and a vacuum/pressure limiting VALVE.
- Other accessories are available on request.
- Permissible ambient and fluid temperature in suction from -15 °C to +40 °C.
- Read the instruction manual carefully before installing the machine.